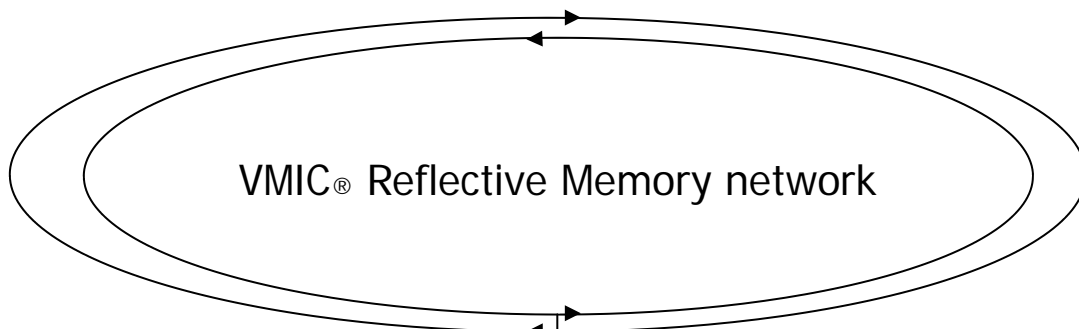




S7 Reflective Memory Bridge™

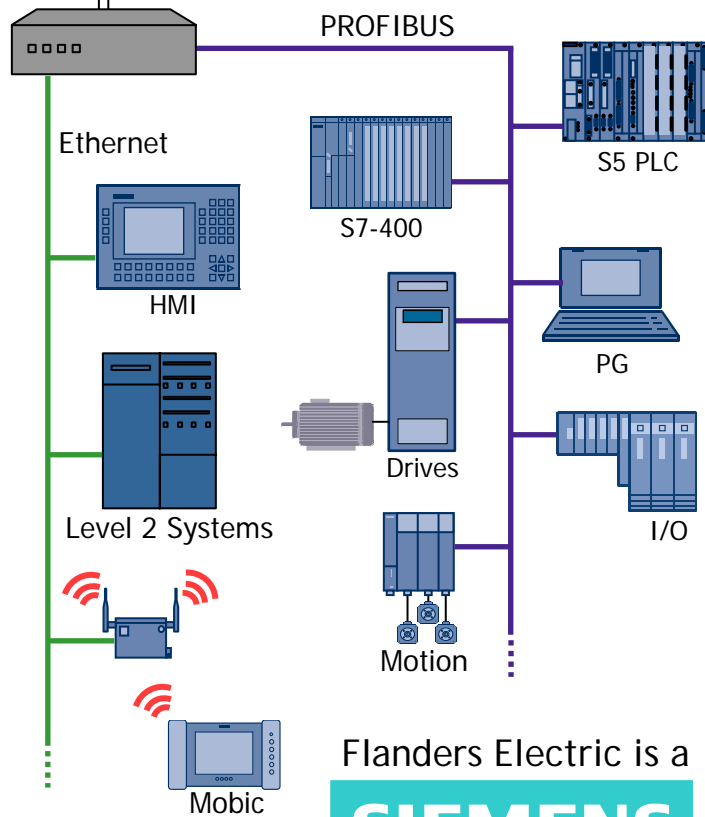
Siemens® S7 PLC's on a Reflective Memory Network?
Now it's possible with our simple solution!



Now you CAN connect your Reflective Memory to your Siemens PLC network using Profibus or ProfiNet.

The **S7 RFM Bridge™** from Flanders Electric is an **exclusive** hardware and software solution that will bridge these two worlds together.

- Replace old complicated controls in your process with modern Siemens PLC's and **keep** the power of your RFM!
- Bridge Profibus, ProfiNet and Ethernet networks to your data sharing and collection system.
- Start collecting data from your Siemens Drives systems, HMI's and PLC's and push that data into your RFM for REAL informational power!



Flanders Electric is a
SIEMENS

Automation Solutions Provider

THE POWER TO PERFORM